



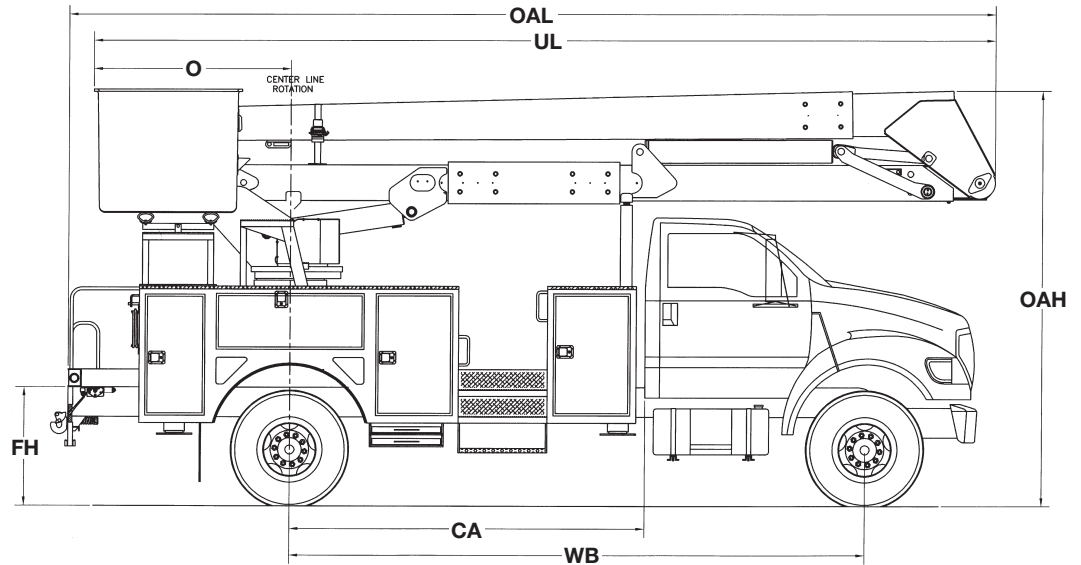
# TEREX®

## Utilities

### HRM SERIES Hi-Ranger Overcenter Material Handling Aerial Device

## AERIAL DEVICES

Terex® Hi-Ranger Aerial Devices are known throughout the industry. They come with a long history featuring quality and innovative design.



Measurements	HR42	HR46	HR50
	ORA	ORA	ORA
Frame Height (FH)	40 inches (101.6 cm)	40 inches (101.6 cm)	40 inches (101.6 cm)
Offset (O)	50 inches (127 cm)	50 inches (127 cm)	50 inches (127 cm)
Overall Height (OAH)	11' 3" (3.4 m)	11' 3" (3.4 m)	11' 8" (3.6 m)
Overall Length (OAL)	22' 6" (6.9 m)	24' 2" (7.4 m)	26' 3" (8.0 m)
Unit Length (UL)	20' 5" (6.2 m)	21' 11" (6.7 m)	24' 4" (7.4 m)
Center of Rotation (H)	-	-	-
Cab to Axle (CA)	84 in. (213.4 cm)	108 in. (274.3 cm)	108 in. (274.3 cm)
Wheel Base (WB)	153 in. (388.6 cm)	177 in. (449.6 cm)	177 in. (449.6 cm)
Front Axle (GAWR)	8,000 lb. (3,629 kg)	9,000 lb. (4,082 kg)	10,500 lb. (4,763 kg)
Rear Axle (GAWR)	17,000 lb. (7,711 kg)	17,000 lb. (7,711 kg)	19,000 lb. (8,618 kg)
Gross Vehicle Weight Rating (GVWR)	25,000 lb. (11,340 kg)	26,000 lb. (11,793 kg)	29,500 lb. (13,381 kg)
Recommended Weight For Stability	13,500 lb. (6,124 kg)	15,000 lb. (6,804 kg)	22,000 lb. (9,979 kg)
Frame Section Modulus	18.0 in <sup>3</sup>	18.0 in <sup>3</sup>	18.0 in <sup>3</sup>
Frame Yield Strength	50,000 psi	50,000 psi	50,000 psi
Frame RBM	900,000 in-lbs	900,000 in-lbs	900,000 in-lbs



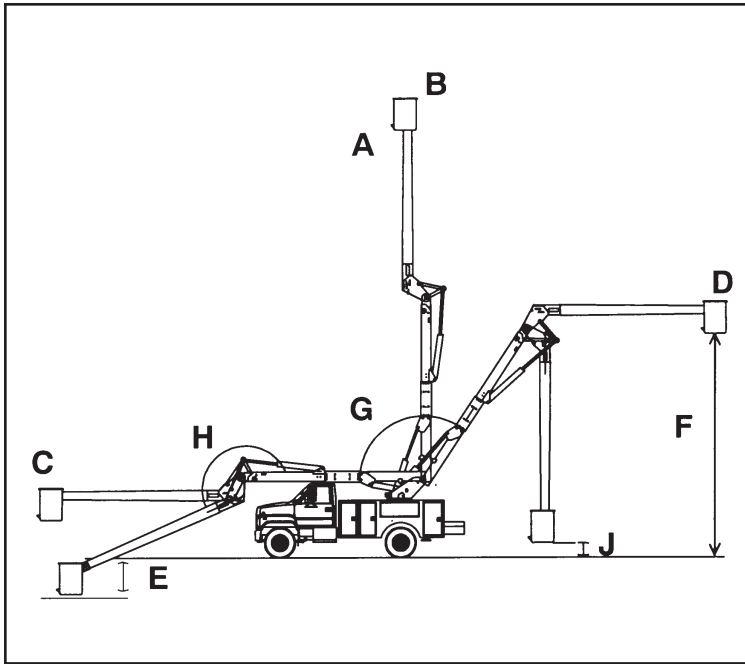
500 Oakwood Drive  
PO BOX 1150  
Watertown, SD 57201-6150  
USA

Phone: (605) 882-4000  
Facsimile: (605) 882-1842  
www.terexutilities.com  
E-mail: sales@terexutilities.com

**Distributed By:**

# HRM SERIES

## Hi-Ranger Overcenter Material Handling Aerial Device



### STANDARD EQUIPMENT

- 24 x 30 x 42 in. One-Person Side Mounted Platform (400 lb. Capacity)
- Continuous Unrestricted Rotation
- Control-Plus "3-D" Single Stick
- Hydraulic Platform Tilt
- Platform Rotator
- Category "C" Rating Per ANSI A92.2
- Two Speed Throttle Control At Upper Controls
- Safety Harness With Attached Lanyard
- Full Pressure, Open Center Hydraulic System
- Positive Platform Leveling System
- 35 Gallon Hydraulic Oil Reservoir
- Emergency Hydraulic Stop at Upper Controls
- Padded Upper Boom Rest With Tie Down
- Padded Lower Boom Rest
- Boom Interlock
- Moving Outrigger Alarm

### CAPACITIES & DIMENSIONAL DATA

	A	B	C	D	E	F	J
	Bottom of Platform	Working Height	Side Reach	Lower Boom Full Up Upper Boom 0°	Bottom of Platform to Ground Level	Bottom of Platform to Ground	Bottom of Platform to Ground
HR42	42.5 ft (13.0 m)	47.5 ft (14.5 m)	35.6 ft (11.2 m)	34.5 ft (10.5 m)	41 in (104 cm)	23.0 ft (7.0 m)	25 in (63.5 cm)
HR46	45.5 ft (13.9 m)	50.5 ft (15.4 m)	38.6 ft (11.8 m)	36.6 ft (11.2 m)	25 in (64 cm)	24.3 ft (7.4 m)	23 in (58.4 cm)
HR50	50.0 ft (15.2 m)	55.0 ft (16.8 m)	43.4 ft (13.2 m)	33.6 ft (10.2 m)	41 in (104 cm)	28.8 ft (8.8 m)	55 in (140 cm)

	G	H
	Lower Articulation	Upper Articulation
HR42	120°	197°
HR46	120°	193°
HR50	103°	200°

### OPTIONAL EQUIPMENT

- Hydraulic Articulating Jib and Winch
- Single Conductor Wire Holder
- Three Phase Lift Attachment
- Auxiliary Let Down Or Auxiliary Power
- Single or Dual Hydraulic Tool Outlet(s) At Platform
- Hydraulic Tool Outlet Below Rotation
- Engine Stop/Start At Platform
- Boom/Boom Stow Interlock
- Category "B" Rating Per ANSI A92.2
- Platform Covers And Liners
- Padded Or Spring Loaded Platform Rest
- Various Types Of Outriggers
- Boom Overstow Protection
- Truck Grounding Cable With Clamp
- 46 KV Conductor Lifter
- Hydraulic Jib Extension Under Load

Effective Date: March 1, 2007. Product specifications and prices are subject to change without notice or obligation. The photographs and/or drawings in this document are for illustrative purposes only. Refer to the appropriate Operator's Manual for instructions on the proper use of this equipment. Failure to follow the appropriate Operator's Manual when using our equipment or to otherwise act irresponsibly may result in serious injury or death. The only warranty applicable to our equipment is the standard written warranty applicable to the particular product and sale and Terex makes no other warranty, express or implied. Products and services listed may be trademarks, service marks or trade-names of Terex Corporation and/or its subsidiaries in the USA and other countries and all rights are reserved. "Terex" is a registered trademark of Terex Corporation in the USA and many other countries. Copyright 2007 Terex Corporation.