



TEREX®

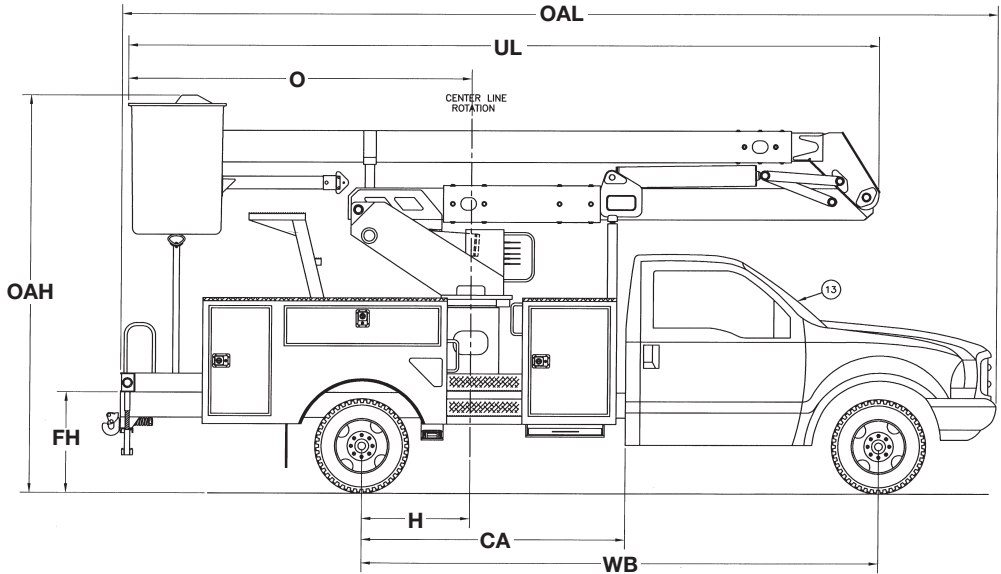
Utilities

HR SERIES

Hi-Ranger Overcenter Material Handling Aerial Device

AERIAL DEVICES

Terex® Hi-Ranger Aerial Devices are known throughout the industry. They come with a long history featuring quality and innovative design.



Measurements	HR37	HR40
	ORA	ORA
Frame Height (FH)	32 in. (81.3 cm)	32 in. (81.3 cm)
Offset (O)	109.5 in. (278.1 cm)	109.5 in. (278.1 cm)
Overall Height (OAH)	10' 11" (3.3 m)	10' 11" (3.3 m)
Overall Length (OAL)	21' 1" (6.7 m)	22' 1" (6.7 m)
Unit Length (UL)	19' 11" (6.1 m)	21' 6" (6.6 m)
Center of Rotation (H)	34.5 in. (87.6 cm)	34.5 in. (87.6 cm)
Cab to Axle (CA)	84 in. (213.4 cm)	84 in. (213.4 cm)
Wheel Base (WB)	165 in. (419.1 cm)	165 in. (419.1 cm)
Front Axle (GAWR)	6,000 lb. (2,722 kg)	6,500 lb. (2,948 kg)
Rear Axle (GAWR)	11,000 lb. (4,990 kg)	13,500 lb. (6,124 kg)
Gross Vehicle Weight Rating (GVWR)	16,000 lb. (7,258 kg)	19,000 lb. (8,618 kg)
Recommended Weight For Stability	12,800 lb. (5,811 kg)	14,000 lb. (6,356 kg)
Frame Section Modulus	10.0 in ³	10.0 in ³
Frame Yield Strength	36,000 psi	36,000 psi
Frame RBM	360,000 in-lbs	360,000 in-lbs



TEREX®
Utilities

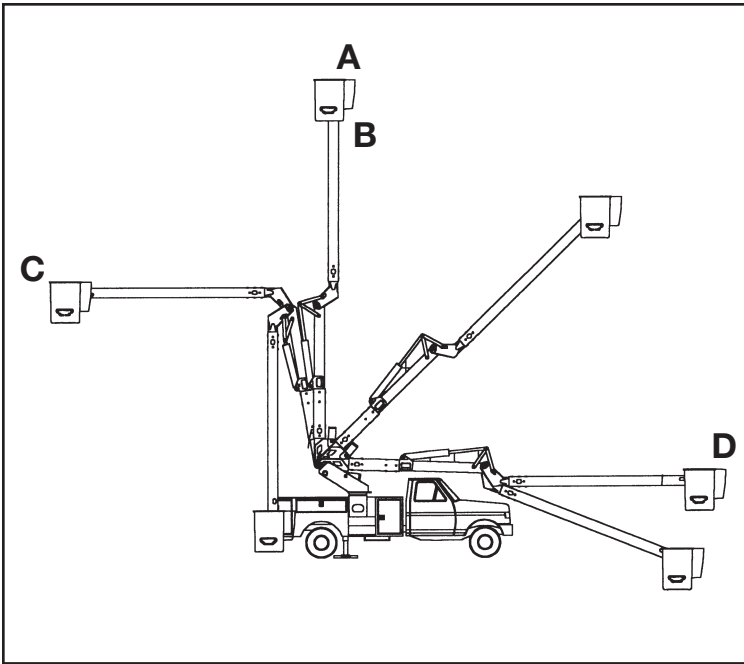
500 Oakwood Drive
PO BOX 1150
Watertown, SD 57201-6150
USA

Phone: (605) 882-4000
Facsimile: (605) 882-1842
www.terexutilities.com
E-mail: sales@terexutilities.com

Distributed By:

HR SERIES

Hi-Ranger Overcenter Material Handling Aerial Device



STANDARD EQUIPMENT

- 24 x 30 x 42 in. One-Person Side Mounted Platform
- Continuous Unrestricted Rotation
- Control-Plus Single Stick Controller, Upper Individual Lever, Lower Controls
- Category "C" Rating Per ANSI A92.2
- Two Speed Throttle Control At Upper Controls
- Safety Harness With Lanyard
- Full Pressure Open Center Hydraulic System
- Positive Mechanical Platform Leveling System
- 20 Gallon Hydraulic Oil Reservoir
- Emergency Hydraulic Stop At Upper Controls
- Padded Upper Boom Rest With Ratchet Tie Down
- Padded Lower Boom Rest
- Boom Interlock
- Moving Outrigger Alarm

CAPACITIES & DIMENSIONAL DATA

	A	B	C	D		
	Working Height	Bottom of Platform Height	Horizontal Reach (Non-Overcenter)	Overcenter Side Reach	Overall Stored Length	Overall Stored Height
HR37	42.0 ft (12.8 m)	37.0 ft (11.3 m)	27.1 ft (8.3 m)	29.9 ft (9.11 m)	22.0 ft (6.7 m)	10.5 in. (3.2 m)
HR40	45.0 ft (13.7 m)	40.0 ft (12.2 m)	28.9 ft (8.8 m)	33.0 ft (10.1 m)	23.5 ft (7.2 m)	10.5 in. (3.2 m)

	Platform Capacity	Lower Boom Travel	Upper Boom Travel
HR37	350 lb (159 kg)	102° (-2° to 100°)	200°
HR40	350 lb (159 kg)	102° (-2° to 100°)	200°

OPTIONAL EQUIPMENT

- Hydraulic Articulating Jib And Winch
- Single Conductor Wire Holder
- Auxiliary Let Down Or Auxiliary Power
- Hydraulic Tool Outlet(s) At Platform
- Hydraulic Tool Outlet Below Rotation
- Components To Meet Category "B" Rating
- Boom/Boom Stow Interlock
- Boom Stow Protection
- Platform Covers And Liners
- Engine Stop/Start
- Lower Boom Lifting Eye
- Platform Rotator
- Demand Throttle
- Various Types Of Outriggers
- Hydraulic Platform Tilt
- Ground Cable (2/0) With Clamp
- 46 KV Rated Conductor Lifter
- Hydraulic Jib Extension Under Load

Effective Date: March 1, 2007. Product specifications and prices are subject to change without notice or obligation. The photographs and/or drawings in this document are for illustrative purposes only. Refer to the appropriate Operator's Manual for instructions on the proper use of this equipment. Failure to follow the appropriate Operator's Manual when using our equipment or to otherwise act irresponsibly may result in serious injury or death. The only warranty applicable to our equipment is the standard written warranty applicable to the particular product and sale and Terex makes no other warranty, express or implied. Products and services listed may be trademarks, service marks or trade-names of Terex Corporation and/or its subsidiaries in the USA and other countries and all rights are reserved. "Terex" is a registered trademark of Terex Corporation in the USA and many other countries. Copyright 2007 Terex Corporation.