



# TEREX®

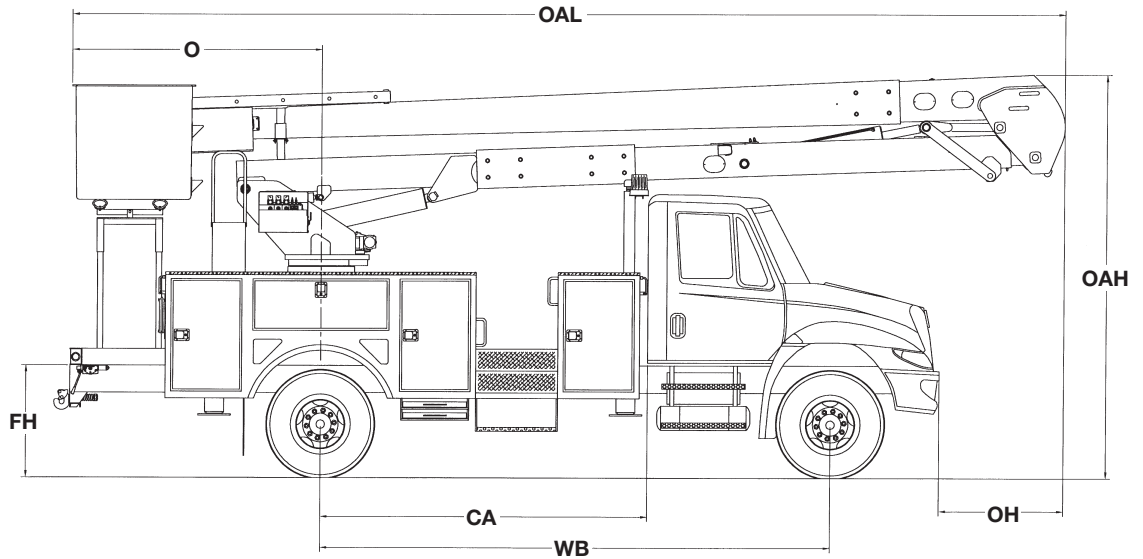
## Utilities

# TC SERIES

## Hi-Ranger Non-Overcenter Material Handling Aerial Device

### AERIAL DEVICES

Terex® Hi-Ranger Aerial Devices are known throughout the industry. They come with a long history featuring quality and innovative design.



Measurements	TC52	TC55	TC60	TC65
	ORA	ORA	ORA	ORA
Frame Height (FH)	40 inches (101.6 cm)	40 inches (101.6 cm)	40 inches (101.6 cm)	40 inches (101.6 cm)
Offset (O)	85.5 inches (217.2 cm)	85.5 inches (217.2 cm)	84 inches (213.4 cm)	84 inches (213.4 cm)
Overall Height (OAH)	12' 2" (3.7 m)	12' 2" (3.7 m)	12' 6" (3.8 m)	12' 6" (3.8 m)
Overall Length (OAL)	28' 11" (8.8 m)	30' 4" (9.2 m)	33' 3" (10.1 m)	35' 9" (10.9 m)
Over Hang (UL)	4' 1" (1.2 m)	5' 1" (1.3 m)	7' 2" (2.2 m)	9' 8" (2.9 m)
Center of Rotation (H)	-	-	-	-
Cab to Axle (CA)	102 in. (259 cm)	108 in. (274.3 cm)	120 in. (304.8 cm)	120 in. (304.8 cm)
Wheel Base (WB)	174 in. (442.0 cm)	180 in. (457.2 cm)	192 in. (487.7 cm)	192 in. (487.7 cm)
Front Axle (GAWR)	10,500 lb. (4,763 kg)	10,500 lb. (4,763 kg)	12,000 lb. (5,443 kg)	12,000 lb. (5,443 kg)
Rear Axle (GAWR)	19,000 lb. (8,618 kg)	19,000 lb. (8,618 kg)	21,000 lb. (9,525 kg)	21,000 lb. (9,525 kg)
Gross Vehicle Weight Rating (GVWR)	29,500 lb. (13,381 kg)	29,500 lb. (13,381 kg)	33,000 lb. (14,969 kg)	33,000 lb. (14,969 kg)
Recommended Weight For Stability	20,500 lb. (9,297 kg)	22,000 lb. (9,979 kg)	22,000 lb. (9,979 kg)	22,000 lb. (9,979 kg)
Frame Section Modulus	18.0 in <sup>3</sup>	18.0 in <sup>3</sup>	18.0 in <sup>3</sup>	18.0 in <sup>3</sup>
Frame Yield Strength	50,000 psi	50,000 psi	50,000 psi	50,000 psi
Frame RBM	900,000 in-lbs	900,000 in-lbs	900,000 in-lbs	900,000 in-lbs



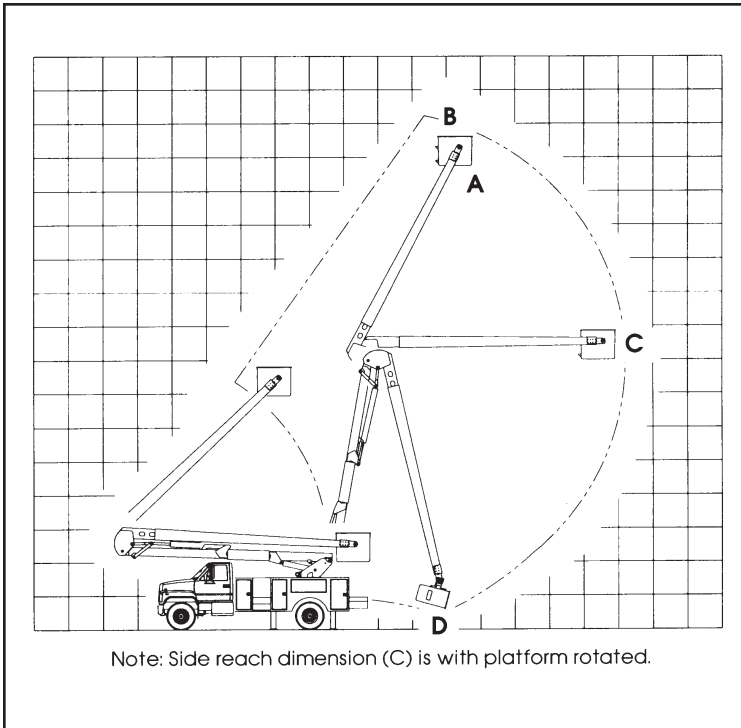
500 Oakwood Drive  
PO BOX 1150  
Watertown, SD 57201-6150  
USA

Phone: (605) 882-4000  
Facsimile: (605) 882-1842  
www.terexutilities.com  
E-mail: sales@terexutilities.com

**Distributed By:**

# TC SERIES

## Hi-Ranger Non-Overcenter Material Handling Aerial Device



### STANDARD EQUIPMENT

- Single Side-Mount Platform 24" x 30" x 42" - 500 lb Capacity (227 kg) (Std on TC52 & TC55 ft.)
- Two Person End-Mount Platform 24" x 48" x 42" - 700 lb Capacity (318 kg) (TC60 & TC65 only)
- Safety Harness With Attached Lanyard
- Power Assist Control System W/Automatic Throttle
- Control-Plus "3-D" Single Stick Control At Platform
- Individual Lever Lower Controls
- Hydraulic Platform Tilt At Lower/Upper Controls
- Master/Slave Platform Leveling System
- 100° Of Lower Boom Articulation (102° Lower Boom Articulation on TC60 & TC65)
- 163° Of Upper Boom Articulation
- Compensated Boom Design
- Continuous Unrestricted Worm Gear Rotation
- Category "C" Rating Per ANSI A92.2
- Pilot-Operated Closed-Center Hydraulic System
- 35 Gallon Hydraulic Oil Reservoir
- Boom Interlock
- Moving Outrigger Alarm

### CAPACITIES & DIMENSIONAL DATA

MODEL	A	B	C	D
	Bottom of Platform	Working Height	Side Reach	Platform to Ground
TC52	52.0 ft. (15.8 m)	57.0 ft. (17.4 m)	36.6 ft. (11.2 m)	1.6 ft. (0.5 m)
TC55	55.0 ft. (16.8 m)	60.0 ft. (18.3 m)	38.3 ft. (11.7 m)	1.6 ft. (0.5 m)
TC60	60.0 ft. (18.3 m)	65.0 ft. (19.8 m)	39.1 ft. (11.9 m)	5.0 ft. (1.5 m)
TC65	65.0 ft. (19.8 m)	70.0 ft. (21.3 m)	41.8 ft. (12.7 m)	5.0 ft. (1.5 m)

### OPTIONAL EQUIPMENT

- Two Person Side Or End Mount Platform
- 24" Platform Lifter
- Hydraulic Jib Extension Underload
- Single Wire / Multi-Phase Attachments
- Hydraulic Tool Outlets At Platform
- Platform Covers and Liners
- Overcenter, Dual Platform Option
- Hydraulic Platform Rotators (180° End Mt, 90° Side Mt)
- Engine Stop/Start At Platform
- Auxiliary Lowering or Auxiliary Power Systems
- Category "B" Rating Per ANSI A92.2
- Boom/Boom Stow Interlock
- Boom Storage Warning Light
- Boom Overstow Protection
- Various Types of Outriggers
- Lower Boom Lifting Eye
- Hydraulic Articulating Jib/Winch, 1000 lbs. (454 kg)
- Hydraulic Articulating Jib/Winch, 1500 lbs. (680 kg)
- Truck Grounding Cable and Clamp
- Hydraulic Lifts: 13 ft., 15 ft., & 25 ft.
- Automatic Boom Latch
- Various Hydraulic Pumps

Effective Date: March 1, 2007. Product specifications and prices are subject to change without notice or obligation. The photographs and/or drawings in this document are for illustrative purposes only. Refer to the appropriate Operator's Manual for instructions on the proper use of this equipment. Failure to follow the appropriate Operator's Manual when using our equipment or to otherwise act irresponsibly may result in serious injury or death. The only warranty applicable to our equipment is the standard written warranty applicable to the particular product and sale and Terex makes no other warranty, express or implied. Products and services listed may be trademarks, service marks or trade-names of Terex Corporation and/or its subsidiaries in the USA and other countries and all rights are reserved. "Terex" is a registered trademark of Terex Corporation in the USA and many other countries. Copyright 2007 Terex Corporation.