



TEREX®

Utilities

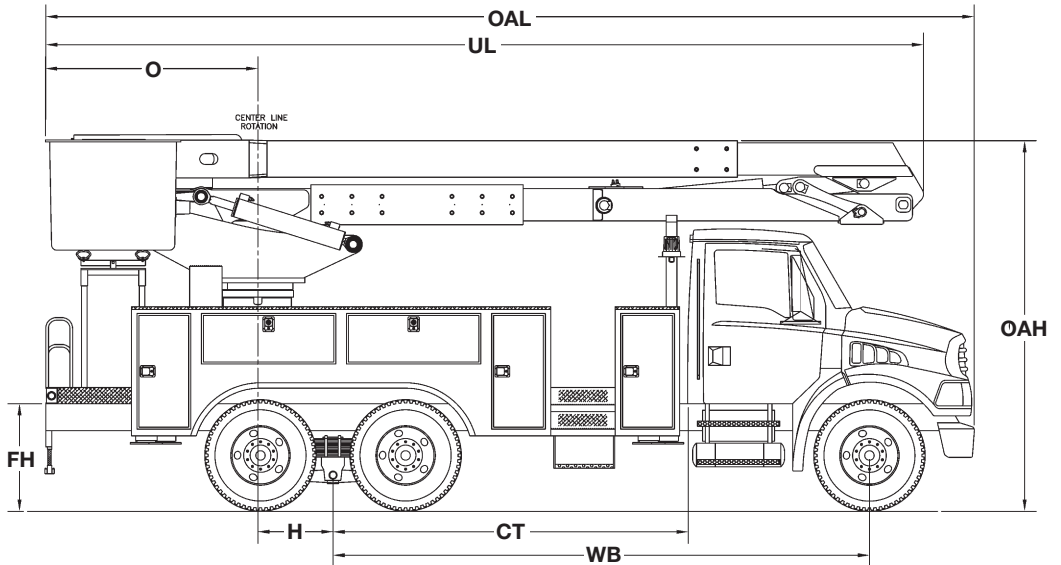
XM SERIES

Hi-Ranger Overcenter Material Handling Aerial Device

AERIAL DEVICES

Terex® Hi-Ranger Aerial Devices are known throughout the industry. They come with a long history featuring quality and innovative design.

*Consult factory for install on single rear axle chassis.



Measurements	XM55	XM60
	ORA	ORA
Frame Height (FH)	40 in. (101.6 cm)	40 in. (101.6 cm)
Offset (O)	81 in. (205.7 cm)	81 in. (205.7 cm)
Overall Height (OAH)	11' 10" (3.6 m)	11' 10" (3.6 m)
Overall Length (OAL)	27' 11" (8.5 m)	29' 6" (9.0 m)
Unit Length (UL)	27' 0" (8.2 m)	29' 6" (9.0 m)
Center of Rotation (H)	6 in. (15.2 cm)	6 in. (15.2 cm)
Cab to Axle (CA)	120 in. (304.8 cm)	138 in. (350.5 cm)
Wheel Base (WB)	192 in. (487.7 cm)	210 in. (533.4 cm)
Front Axle (GAWR)	12,000 lb. (5,443 kg)	14,000 lb. (6,350 kg)
Rear Axle (GAWR)	21,000 lb. (9,525 kg)	21,000 lb. (9,525 kg)
Gross Vehicle Weight Rating (GVWR)	33,000 lb. (14,969 kg)	35,000 lb. (15,876 kg)
Recommended Weight For Stability	34,000 lb. (15,422 kg)	34,000 lb. (15,422 kg)
Frame Section Modulus	18.0 in ³	18.0 in ³
Frame Yield Strength	50,000 psi	50,000 psi
Frame RBM	900,000 in-lbs	900,000 in-lbs



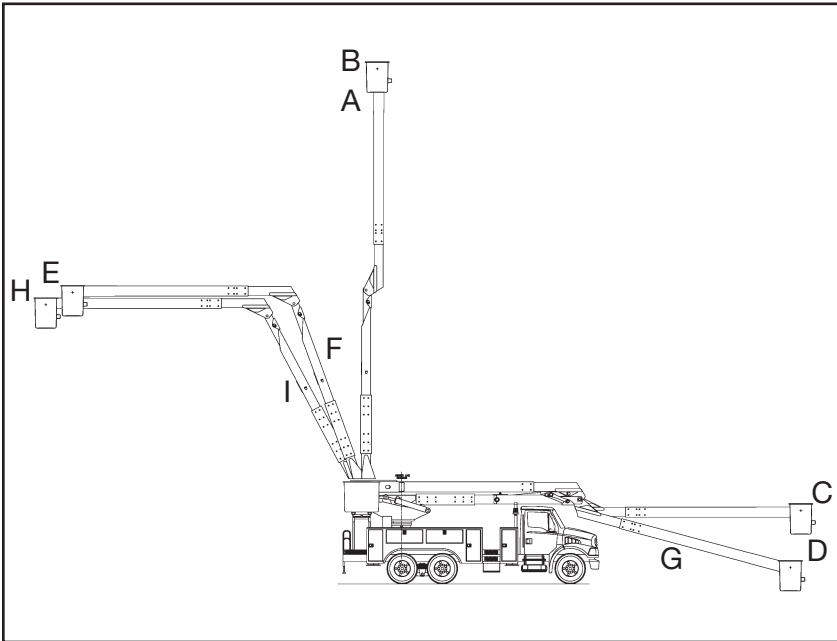
500 Oakwood Drive
PO BOX 1150
Watertown, SD 57201-6150
USA

Phone: (605) 882-4000
Facsimile: (605) 882-1842
www.terexutilities.com
E-mail: sales@terexutilities.com

Distributed By:

XM SERIES

Hi-Ranger Overcenter Material Handling Aerial Device



STANDARD EQUIPMENT

- 24" x 30" x 42" One Side Mounted Platform
- Control-Plus "3-D" Single Stick
- Category "C" Rating Per ANSI A92.2
- Two Speed Throttle Control At Boom Tip
- Hydraulic Platform Tilt
- Full Pressure, Open Center Hydraulic System
- 35 Gallon Hydraulic Oil Reservoir
- Safety Harness(es) With Attached Lanyard
- Boom Interlock
- 110° Lower Boom Articulation
- Moving Outrigger Alarm

CAPACITIES & DIMENSIONAL DATA

	A	B	C	D	E	F	G
	Bottom of Platform	Working Height	Overcenter Side Reach	Bottom of Platform Below Ground	Non-Overcenter Side Reach at 110°	Lower Articulation	Upper Articulation
XM55	55.25 ft. (16.9 m)	60.25 ft. (18.4 m)	46.6 ft. (14.2 m)	7.5 in. (19.0 cm)	40.5 ft. (12.3 m)	110°	195°
XM60	60.25 ft. (18.4 m)	65.25 ft. (20.0 m)	51.6 ft. (15.7 m)	14.0 in. (35.6 cm)	43.8 ft. (13.4 m)		
*OPTIONAL ARTICULATION:							
	H	I	G				
	Non-Overcenter Side Reach at 118°	Lower Articulation	Upper Articulation				
	43.5 ft. (13.25 m)	118°	195°				
	46.9 ft. (14.3 m)						

* 11.6 ft. Travel Height based on a 63 inch cab height.
 ** All dimensions based on 40 inch frame height.

OPTIONAL EQUIPMENT

- Various Types Of Outriggers
- Engine Stop/Start At Platform
- Auxiliary Lowering Or Auxiliary Power System
- Category "A" Or "B" Rating Per ANSI A92.2
- Hydraulic Tool Outlets Above & Below Rotation
- Hydraulic Platform Rotators
- 115° & 230° Hydraulic Articulating Jib
- Hydraulic Jib Extension Under Load
- 2,000 lb. Full Drum Capacity Jib Winch
- 2 - 8 ft. Jibs Available
- Single and Multiple Phase Lifters
- Platform Liners, Floor Liners, & Platform Covers
- COMP-SELECT Selectable Upper Boom Compensation
- 100° And 118° Lower Boom Articulation
- 13' And 15' Single Hydraulic Lift
- 25' Double Hydraulic Lift
- Boom/Boom Stow Interlock
- Boom Overstow Protection
- Truck Grounding Cable & Clamp
- 46 KV Conductor Lifter

Effective Date: March 1, 2007. Product specifications and prices are subject to change without notice or obligation. The photographs and/or drawings in this document are for illustrative purposes only. Refer to the appropriate Operator's Manual for instructions on the proper use of this equipment. Failure to follow the appropriate Operator's Manual when using our equipment or to otherwise act irresponsibly may result in serious injury or death. The only warranty applicable to our equipment is the standard written warranty applicable to the particular product and sale and Terex makes no other warranty, express or implied. Products and services listed may be trademarks, service marks or trade-names of Terex Corporation and/or its subsidiaries in the USA and other countries and all rights are reserved. "Terex" is a registered trademark of Terex Corporation in the USA and many other countries. Copyright 2007 Terex Corporation.